



NEW KEYS RELEASE 2021

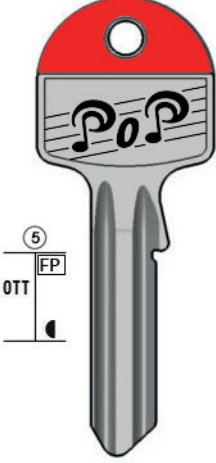
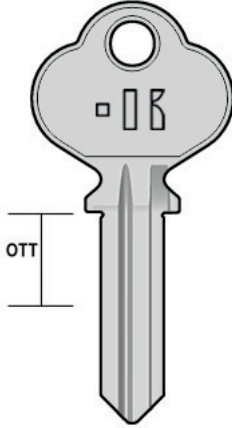
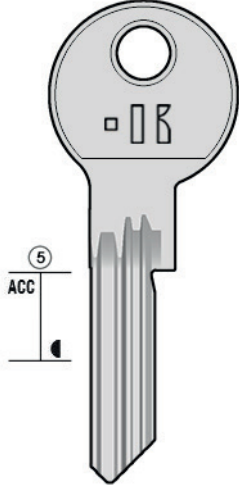





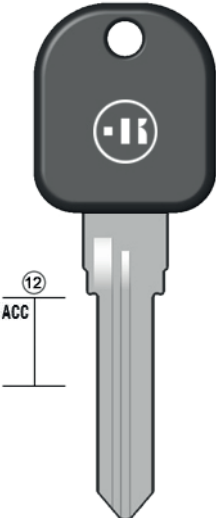
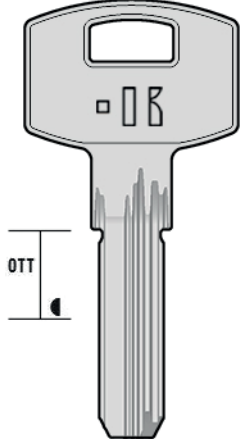
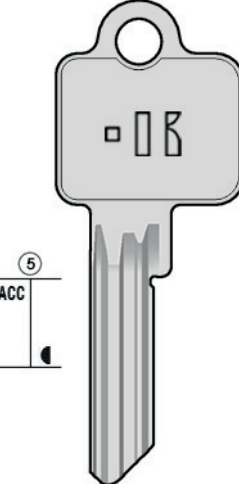
KEYLINE

Innovators by design | Since 1770
A BIANCHI 1770 GROUP COMPANY

BIANCHI 1770
Anniversary

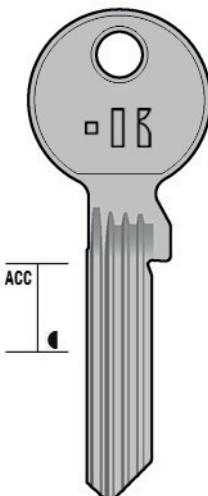
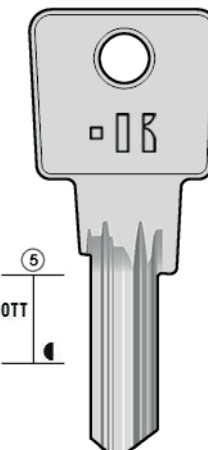
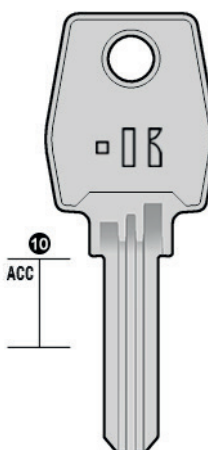
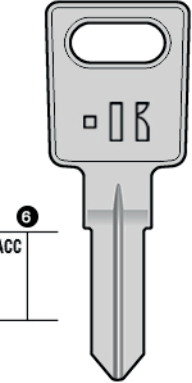
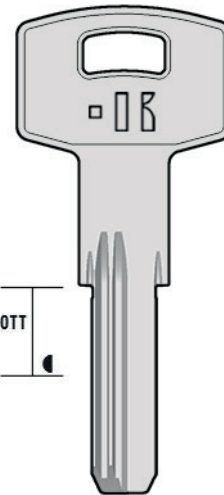
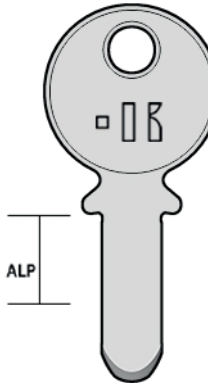







NEW KEYS RELEASE 2021

AGB (I)	ALPHA (I)	ANKERSLOT (NL)	2
 <p>OTT FP</p> <p>AGB5S-FP</p>	 <p>OTT</p> <p>ALP1</p>	 <p>ACC</p> <p>AKS16S</p>	<p>CROSS REFERENCE:</p> <p>AGB5S-FP AGB1R AGB-1</p> <p>ALP1 ALP1 ALP-3</p> <p>AKS16S AKR16R ANK-65</p> <p>AXA12 AX12 DEK-16</p> <p>AXA7SP - -</p> <p>BK16 BK16 -</p>
AXA (NL)	AXA (NL)	BKS (D)	<p>Legend</p> <ul style="list-style-type: none">  New profile  New key  New generation pod key (insert cap)  Type of transponder on the original key <p>Copyright by</p> 
 <p>ACC</p> <p>AXA SOLID AXA7SP</p>	 <p>OTT</p> <p>AXA12</p>	 <p>ACC</p> <p>BK16</p>	

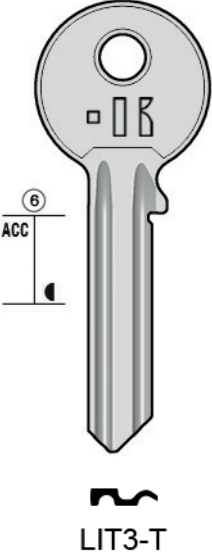
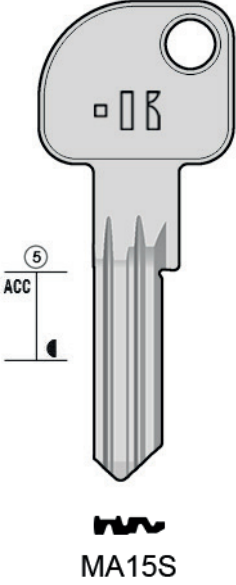
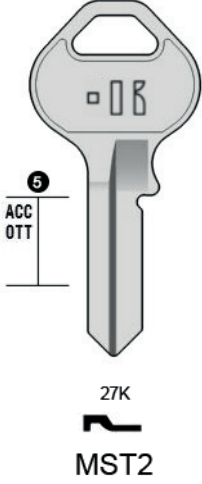





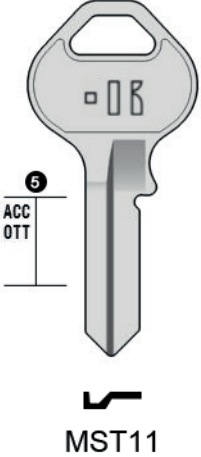
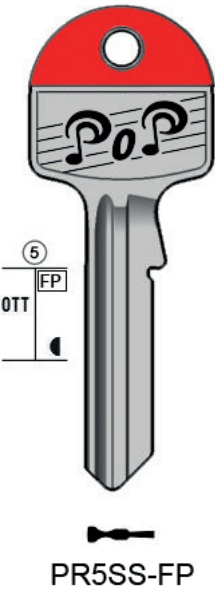
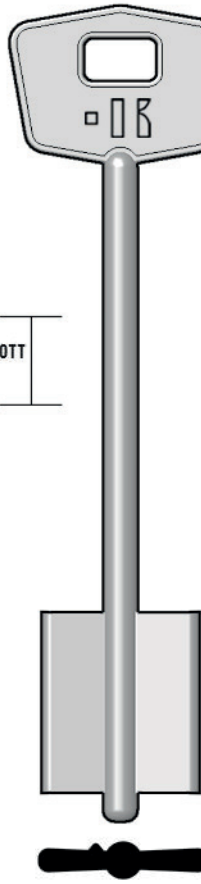


NEW KEYS RELEASE 2021

CES (D)	CES (D)	EUROLOCKS (B)	3
 <p>CS148-A</p>	 <p>CS158S</p>	 <p>EU12</p>	<p>CS148-A CE148 -</p> <p>CS158S CE158 -</p> <p>EU12 EU12 EU-9</p> <p>HE7 HN7 HEK-6</p> <p>IBF1 - -</p> <p>KA6 KA6 KA-6</p>
HEKNA (D)	IBFM (I)	KABA (CH)	
 <p>HE7</p>	 <p>IBF1</p>	 <p>KA6</p>	
<p>Legend</p> <ul style="list-style-type: none">  New profile  New key  New generation pod key (insert cap)  Type of transponder on the original key 			
<p>Copyright by</p> 			



NEW KEYS RELEASE 2021

LITTO (B)	MASTER (USA)	MASTER (USA)	4
 <p>LIT3-T</p>	 <p>MA15S</p>	 <p>27K MST2</p>	<p>LIT3-T LT3 LIT-3D</p> <p>MA15S MAU5R MAU-4D</p> <p>MST2 MS3R MAS-9D</p> <p>MST11 MS11 MAS-11</p> <p>PR5SS-FP PF092S PR-6</p> <p>1SAB 5SAP8P -</p>
MAUER (BG)	PREFER (I)	SAB (I)	<p>Legend</p> <ul style="list-style-type: none">  New profile  New key  New generation pod key (insert cap)  Type of transponder on the original key <p>Copyright by</p> 
 <p>MST11</p>	 <p>PR5SS-FP</p>	 <p>1SAB</p>	



NEW KEYS RELEASE 2021

MUL-T-LOCK (IL)	SEA (CH)	TRELOCK (D)	5
<p>7x7 ML14P</p>	<p>SEB2</p>	<p>TRK6P</p>	<p>ML14P -</p> <p>SEB2 SEA-2</p> <p>TRK6P -</p> <p>TRK13P TRK13EP -</p> <p>HU162-KF HU162T -</p> <p>HU163S-KF HU162AT TP00HU-5P</p>
TRELOCK (D)	VOLKSWAGEN (D)	VOLKSWAGEN (D)	
<p>TRK13P</p>	<p>HU162-KF</p>	<p>HU163S-KF</p>	

Legend

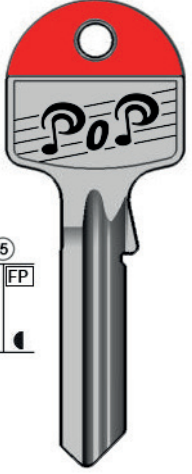

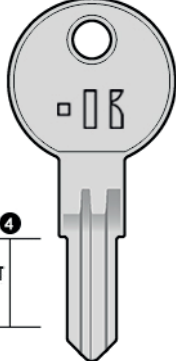





- New profile
- New key
- New generation pod key (insert cap)
- Type of transponder on the original key

Copyright by





NEW KEYS RELEASE 2021

WALLY (I)	XIEHE (CN)		6
 <p>5 FP OTT</p>  <p>WY5S-FP</p>	 <p>4 OTT</p>  <p>XI1</p>		<p>WY5S-FP WA1R WA-5I</p> <p>XI1 IEH1 -</p>
			<p>Legend</p> <ul style="list-style-type: none"> New profile New key New generation pod key (insert cap) Type of transponder on the original key <p>Copyright by</p> 